

Model #731-A
Color- Bronze

Model #732-B
Color- Black

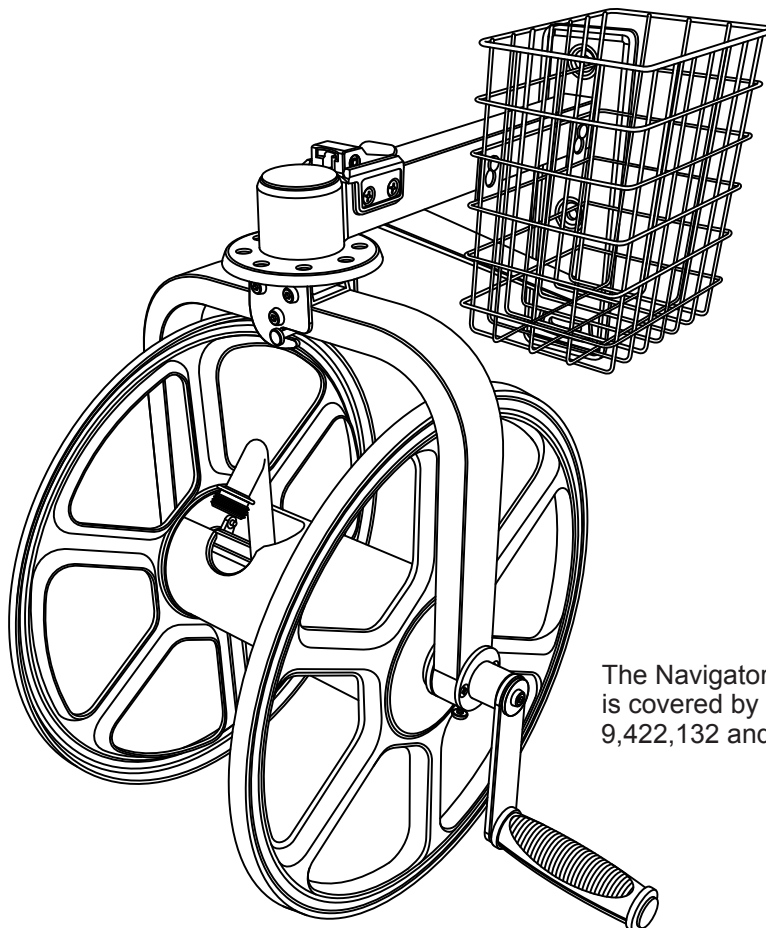


**Liberty Garden®
Products**

"Liberty Garden" is a registered trademark of Liberty Garden Products, Inc.

ATTACH YOUR RECEIPT HERE

SINGLE ARM NAVIGATOR™ ROTATING HOSE REEL Owner's Manual



The Navigator® Rotating 360° Hose Reel is covered by US patent numbers 9,422,132 and 10,150,645

VISIT OUR WEBSITE: WWW.LIBERTYGARDENPRODUCTS.COM

OR CALL US TOLL FREE AT 1-866-820-5805

LIBERTY GARDEN PRODUCTS, INC.

1161 SOUTH PARK DRIVE, KERNERSVILLE NC 27284

IMPORTANT: READ THE OWNER'S MANUAL BEFORE ASSEMBLING

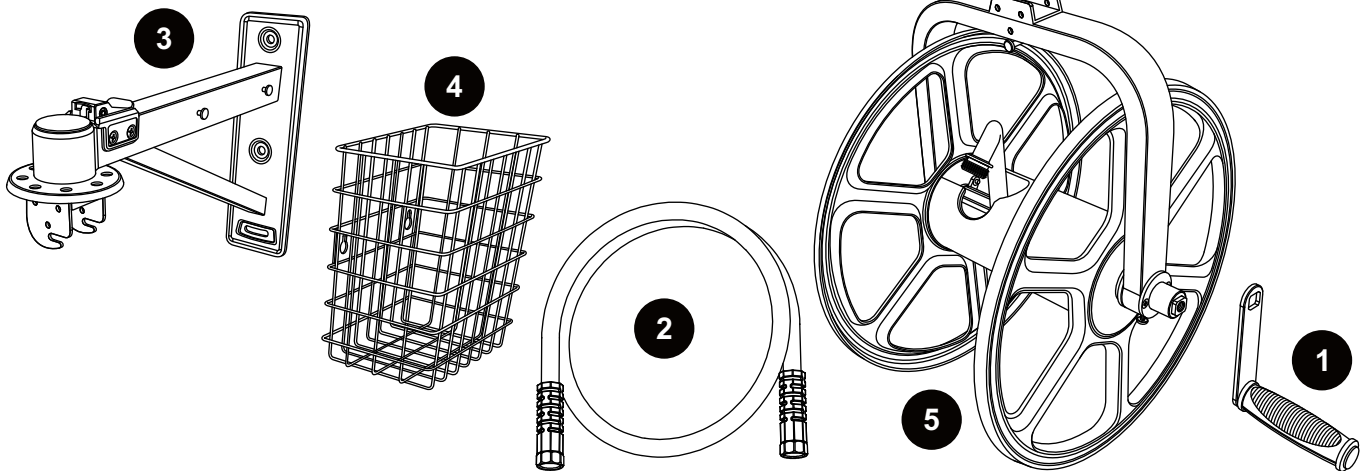
PRODUCT SPECIFICATIONS

SPECIFICATIONS
125' of 5/8" Hose Capacity
Black Anodized Aluminum Swivel
Pull Up Latch for Full 360° Rotation
Vertical 9" Mounting Holes
Durable Powder Coat Finish
Attachable Crank Handle
Storage Basket
5' Leader Hose

SPECIFICATIONS
Model #731-A Color: Bronze
Model #732-B Color: Black
Height: 21.82"
Width: 20.26"
Depth: 17.81"
Weight: 12.30 lbs
Made in Vietnam / US Patent #9,422,132 and 10,150,645

PACKAGE CONTENTS

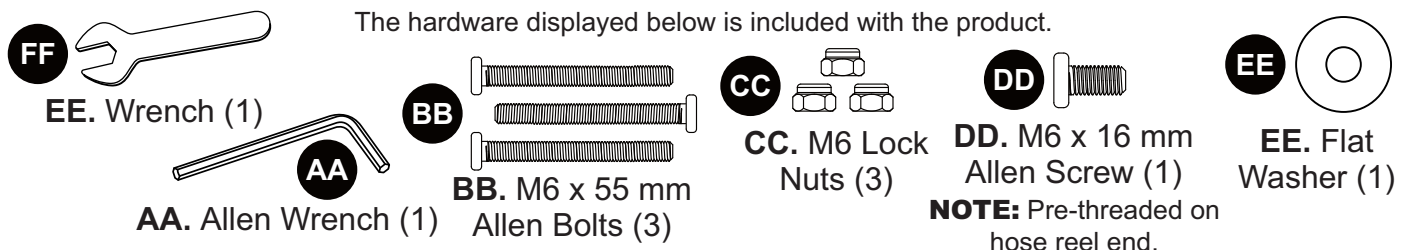
Before beginning assembly of product, make sure all parts are present. Compare parts with package contents list and hardware contents list. If any part is missing or damaged, do not attempt to assemble the product.



PART	DESCRIPTION	QUANTITY
1	Crank Handle	1
2	Leader Hose	1
3	Swing Arm	1

PART	DESCRIPTION	QUANTITY
4	Basket	1
5	Hose Reel	1

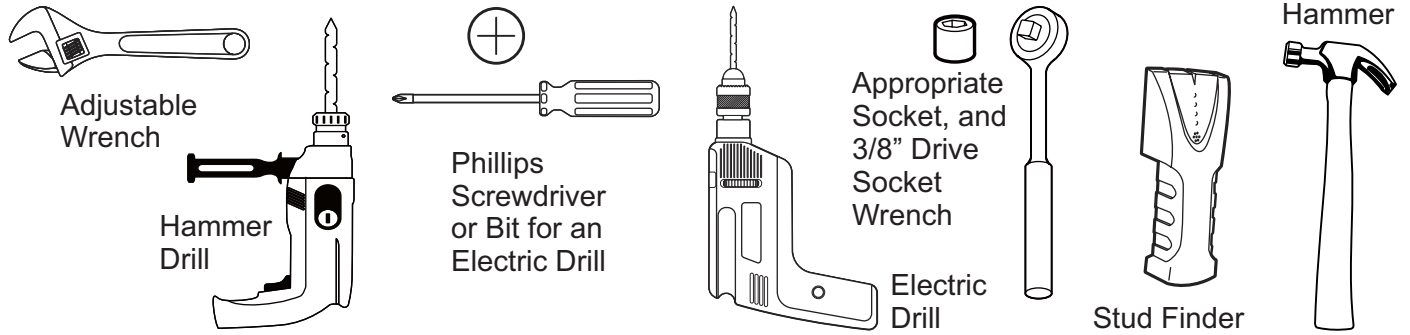
HARDWARE CONTENTS (Drawings are not to scale)



NOTE: Wall mounting hardware is **NOT** included with this unit. Check with a local retailer or visit a hardware store to purchase mounting hardware.

TOOLS REQUIRED FOR ASSEMBLY (Not Included)

Estimated Assembly Time: 10 minutes (not including mounting the hose reel).



SAFETY INFORMATION



SAFETY INFORMATION

Please read and understand this entire manual before attempting to assemble, operate or install the product.

- **READ ALL INSTRUCTIONS CAREFULLY AND BE SURE THEY ARE FULLY UNDERSTOOD BEFORE USING THE HOSE REEL.**

- **DO NOT** load more than 125' (38.1 m) of hose onto the hose reel.
- Distribute the hose evenly over the surface of the drum assembly.
- **DO NOT** exceed maximum water pressure of 125 PSI.
- **DO NOT** expose the unit to freezing temperatures while water remains in the plumbing system. Freezing temperatures can crack the brass swivel causing damage to the unit. Drain water from the hose reel and store indoors during freezing temperatures.
- **DO NOT** leave water running through the hose reel while not in use or unsupervised.
- **DO NOT** consume water from garden hose, it is not rated for human consumption.
- Turn off water source when not in use. Do not leave hose pressurized when not in use.
- If any parts become damaged, broken, or misplaced, do not use the hose reel until the parts have been repaired or replaced.
- It is recommended that the hose reel be inspected for damage before each use.
- **KEEP THESE INSTRUCTIONS FOR FUTURE REFERENCE.**



WARNING

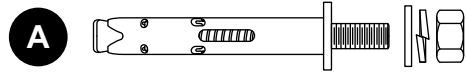
This product contains one or more chemicals known in the state of California to cause cancer and birth defects or reproductive harm. Wash hands after handling.

INSTALLATION INSTRUCTIONS

NOTE: This hose reel must be mounted to a solid masonry wall or to wall studs.

1: BRICK/MASONRY ANCHOR SLEEVES The following hardware (not included) is recommended for installation:

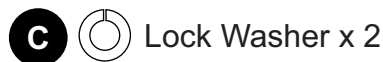
NOTE: The masonry anchor sleeve comes pre-assembled with the flat washer, lock washer and nut.



5/16 x 2 1/2" Masonry Anchor Sleeve x 2



Flat Washer x 2



Lock Washer x 2



Nuts x 2

- Position and hold the swing arm (3) against the brick or masonry wall at a convenient height. Mark the position of each suspension hole on the wall.

- Remove the swing arm (3).

- Using a hammer drill, drill two 5/16" diameter holes at the marked positions on the wall.

NOTE: Ensure you drill the holes deep enough per anchor sleeve manufacturers specifications.

- Insert the masonry anchor sleeves (A) into the drilled holes on the wall.

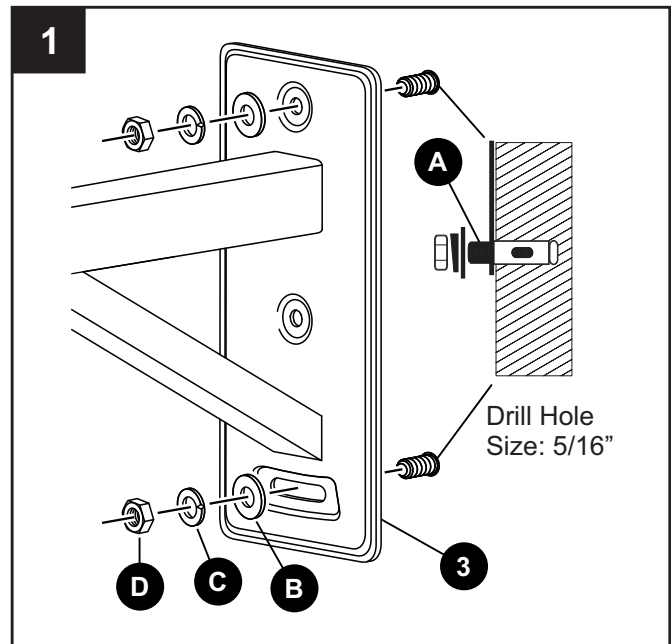
- With a hammer, lightly tap the masonry wall anchors (A) until they are fully seated in the wall.

- Position the swing arm (3) on the masonry wall anchors.

- Install a flat washer (B), a Lock washer (C) and nut (D) over each masonry anchor sleeve.
- Using an appropriate socket and 3/8" drive socket wrench, or use an electric drill and nut driver to tighten the mounting hardware and secure the swing arm to the wall.

TIP: Remember to use the correct size and quantity of hardware to properly support the total weight of the unit. A standard 100' length of garden hose weighs approximately 15 lbs. Filled with water, the additional weight can exceed 20 lbs. The mounting hardware must be able to support the combined weight of the unit, garden hose, plus water.

Drill hole sizes may vary based on anchor sleeve, or concrete screw manufacturer. Check product and hardware recommendations before drilling holes.

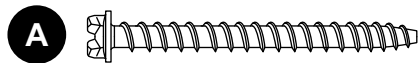


INSTALLATION INSTRUCTIONS (continued)

NOTE: This hose reel must be mounted to a solid masonry wall or to wall studs.

2: BRICK/MASONRY SCREWS

The following hardware (not included) is recommended for installation:



5/16" x 2 1/2" Brick/Masonry Screw x 2



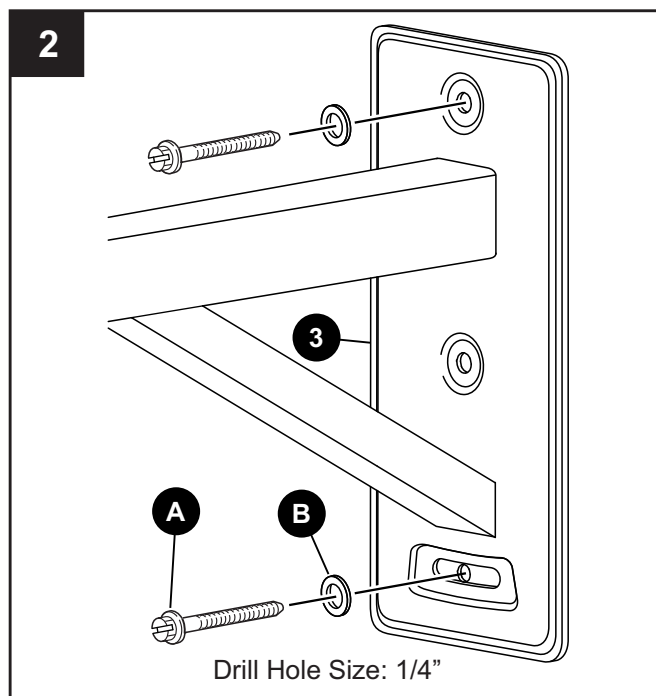
- Position and hold the swing arm (3) against the brick/masonry wall at a convenient height. Mark the position of each suspension hole on the wall.
- Remove the swing arm (3).
- Using a hammer drill, drill two 1/4" diameter holes at the marked positions on the wall.

NOTE: Ensure you drill the holes deep enough per brick/masonry screw manufacturers specifications.

- Align the swing arm suspension holes with the pilot holes.
- Using two 5/16" x 2 1/2" brick/masonry screws (A), and two 5/16" flat washers (B), to secure the swing arm to the brick/masonry wall. Tighten the screws with a 3/8" socket and 3/8" drive socket wrench or use an electric drill and nut driver.

TIP: Remember to use the correct size and quantity of hardware to properly support the total weight of the unit. A standard 100' length of garden hose weighs approximately 15 lbs. Filled with water, the additional weight can exceed 20 lbs. The mounting hardware must be able to support the combined weight of the unit, garden hose, plus water.

Drill hole sizes may vary based on brick or masonry screw manufacturer. Check product and hardware recommendations before drilling holes.



INSTALLATION INSTRUCTIONS (continued)

3: WOOD SCREWS

The following hardware (not included) is recommended for installation:



5/16" x 2 1/2" Wood Screw x 2

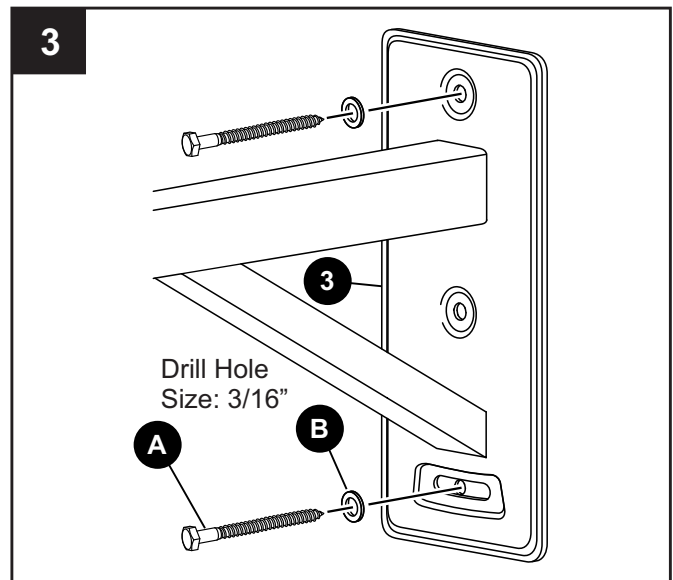


5/16" Flat Washer x 2

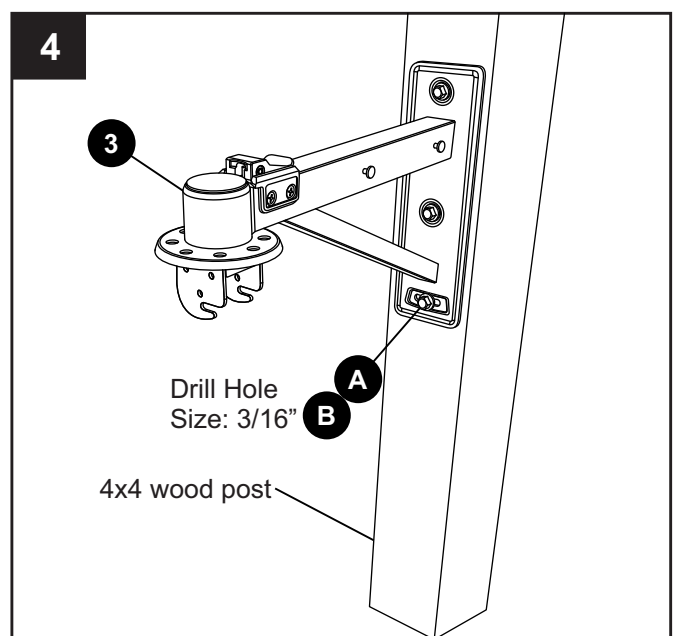
- Using a stud finder, locate the wood studs in the wall.
- Position and hold the swing arm (3) against the wood wall/wood post at a convenient height. Mark the position of each suspension hole on the wall.
- Remove the swing arm (3).
- Using an electric drill, drill two 3/16" diameter pilot holes at the marked positions on the wall.
- Align the swing arm suspension holes with the pilot holes.
- Using two 5/16" x 2 1/2" wood screws (A), and two 5/16" flat washers (B), secure the swing arm to the wall. Tighten the screws with a 1/2" socket and 3/8" drive socket wrench or use an electric drill and nut driver.

Drill hole sizes may vary based on wood screw manufacturer. Check product and hardware recommendations before drilling holes.

TIP: Remember to use the correct size and quantity of hardware to properly support the total weight of the unit. A standard 100' length of garden hose weighs approximately 15 lbs. Filled with water, the additional weight can exceed 20 lbs. The mounting hardware must be able to support the combined weight of the unit, garden hose, plus water.



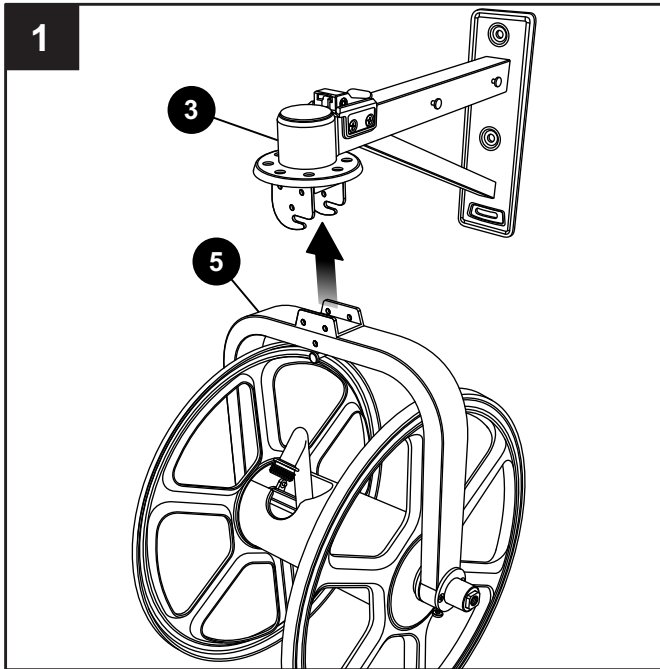
NOTE: Using the same wood screw mounting hardware, 4x4 wood post is another option for mounting the Navigator hose reel.



INSTALLATION INSTRUCTIONS (continued)

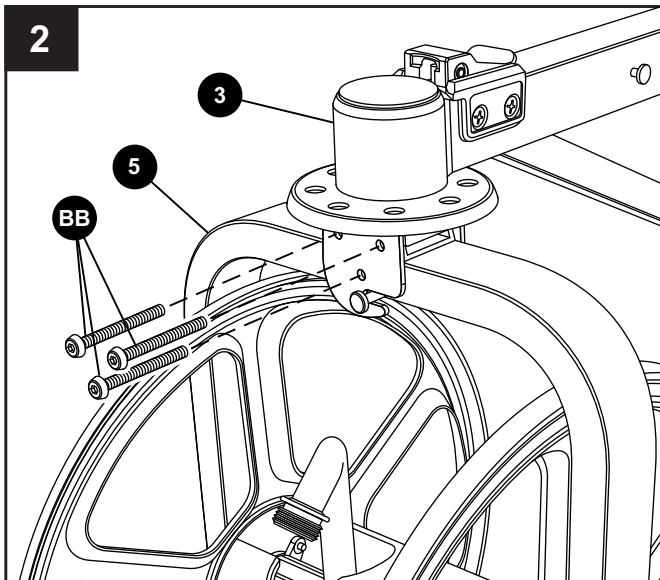
STEP 1:

Attach the hose reel (5) to the swing arm (3) by hanging the reel on the small slot located at the front of the swing arm.



STEP 2:

Line up the holes in the hose reel (5) with the swing arm (3) and insert long allen bolts (BB).

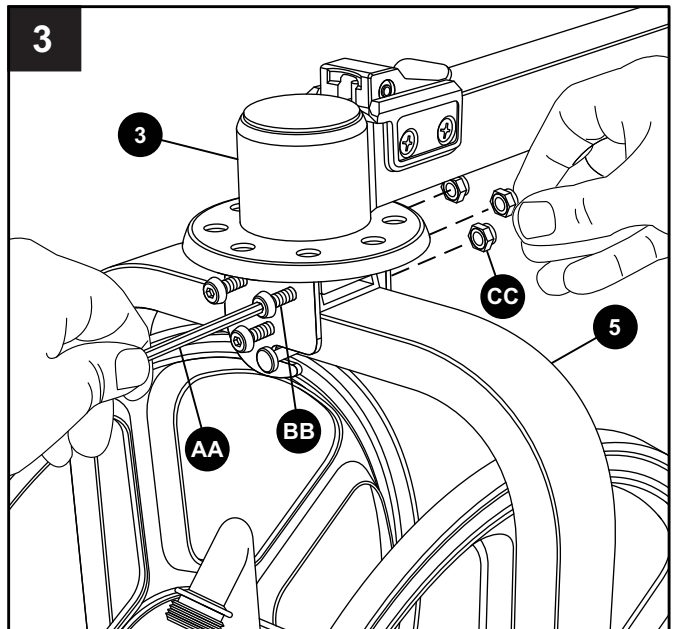
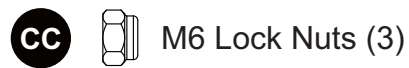


STEP 3:

Install allen bolts (BB) and lock nuts (CC) to secure the reel assembly to the swing arm.

Using a drive socket or wrench (FF) to hold the lock nuts in place, tighten the lock nuts and allen bolts with included allen wrench (AA).

CAUTION: DO NOT OVER TIGHTEN THE LOCK NUTS AND ALLEN BOLTS.




INSTALLATION INSTRUCTIONS (continued)

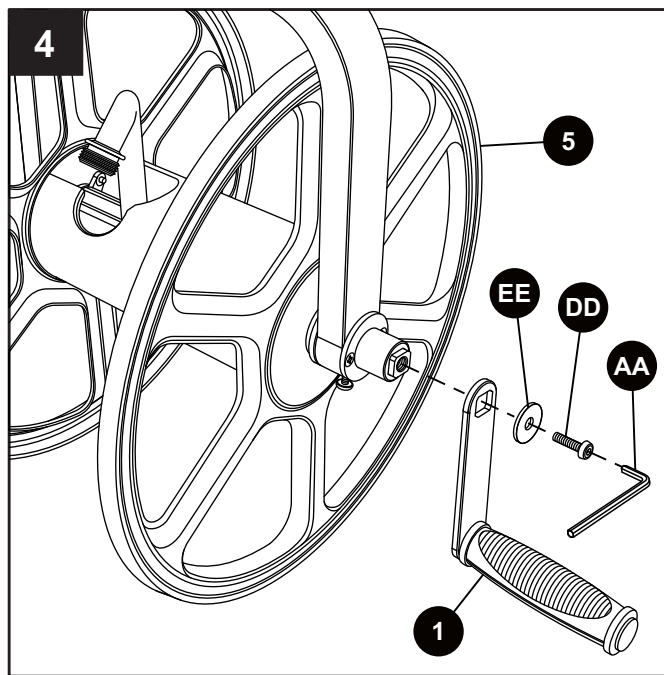
STEP 4:

Align the holes in the crank handle (1) with the crank handle shaft on the hose reel (5). Insert the short allen screw (DD) and flat washer (EE) into the crank handle, then tighten with supplied allen wrench (AA).

NOTE: The allen screw (DD) is pre-assembled on the crank handle shaft. It must be removed before assembly of the crank handle.

DD  M6 x 16 mm Allen Screw (1)

EE  Flat Washer (1)

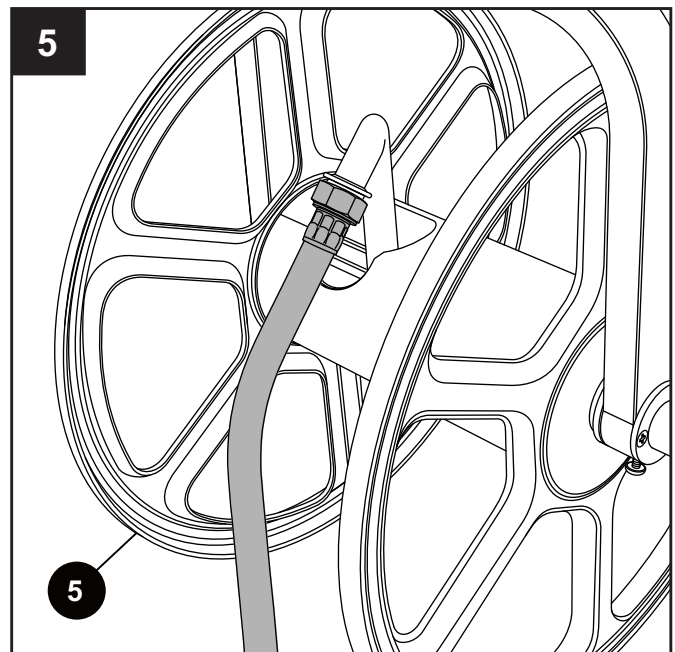


STEP 5:

Attach your garden hose to the hose connector on hose reel (5). Use an adjustable wrench (not included) to secure the garden hose to the reel. The hose is now ready to wind around the spool.

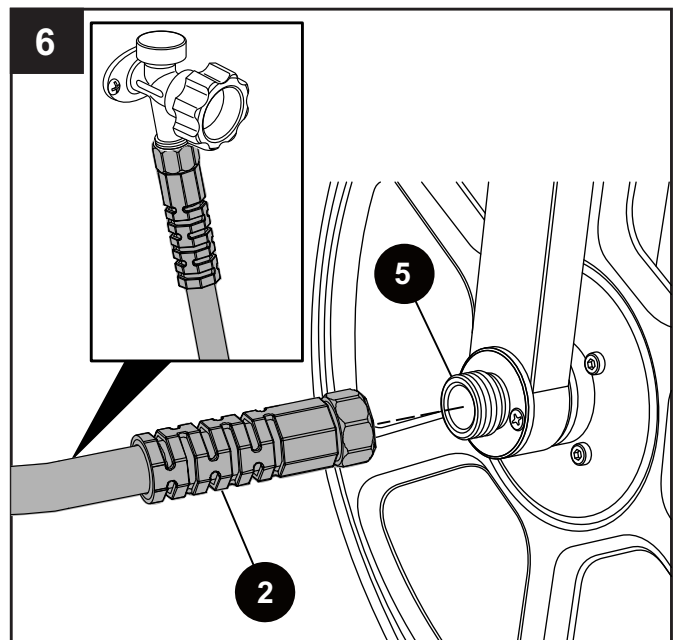
NOTE: The Single Arm Navigator holds up to 125' of 5/8" garden hose.

NOTE: Ensure the rubber washers are assembled in your garden hose to prevent leaking.



STEP 6:

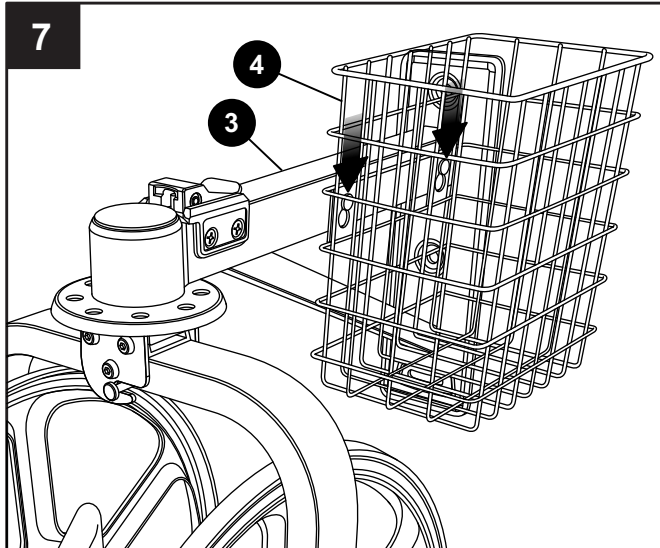
Attach the leader hose (2) to supply tube on hose reel (5). Attach other end of leader hose to water source.



INSTALLATION INSTRUCTIONS (continued)

STEP 7:

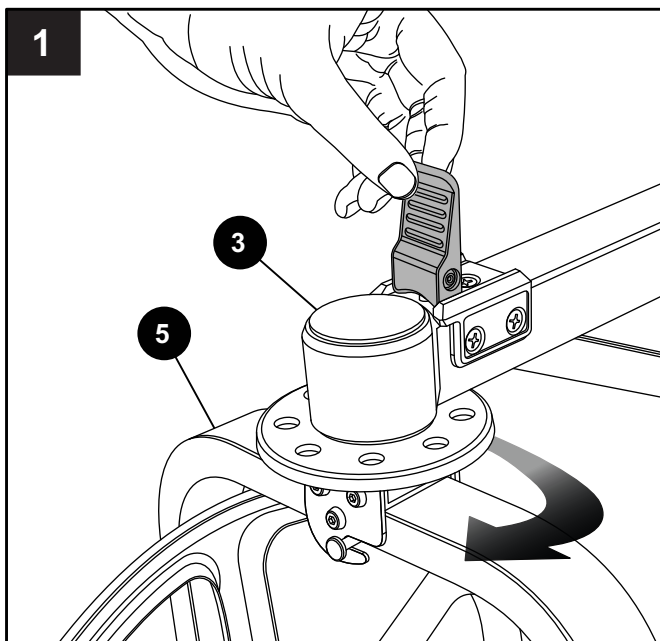
Attach basket (4) by aligning and resting the basket keyhole openings on the swing arm (3) resting pins. Push the basket down to set it in place.



OPERATING INSTRUCTIONS

STEP 1:

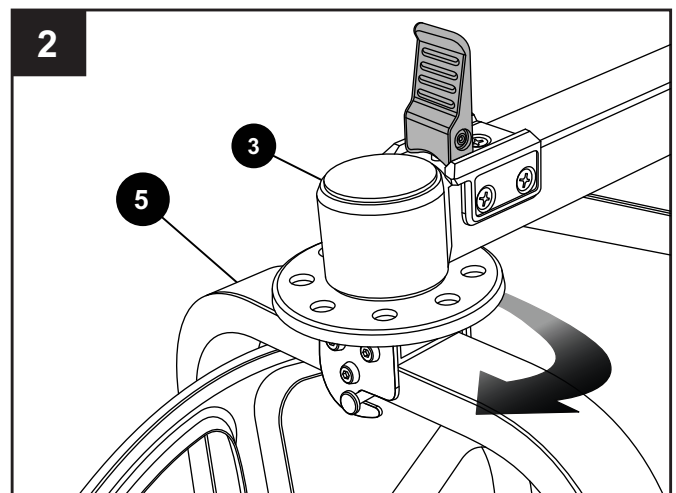
Pull up on the (red) latch located on swing arm (3) then rotate hose reel (5) to one of the eight locking positions. Push down on the latch to lock hose reel in position.



STEP 2:

Pull up on the (red) Latch located on swing arm (3) and leave the latch in the up position. The Navigator rotating hose reel (5) will now turn a full 360°.

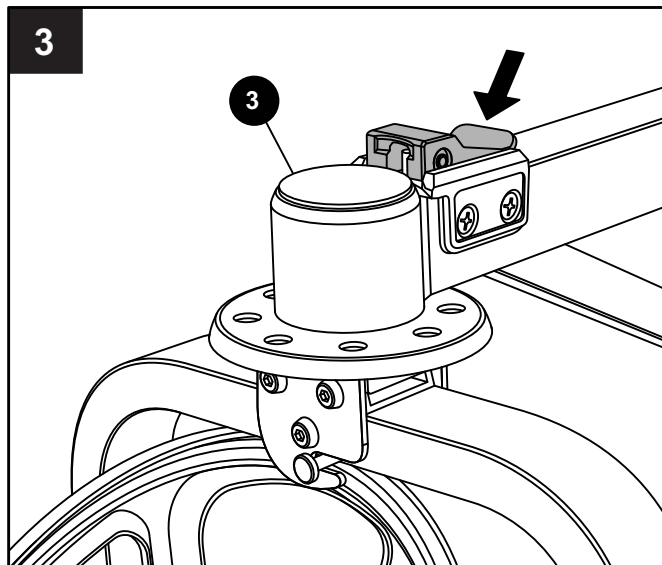
NOTE: See page 11 for information about semi-annual maintenance and lubrication of the swing arm.



OPERATING INSTRUCTIONS (continued)

STEP 3:

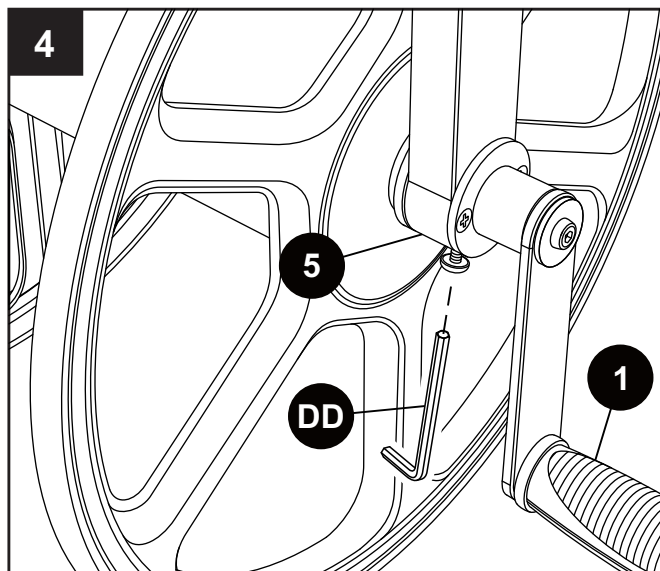
Push down the latch on swing arm (3) and lock the unit into one of the eight desired positions. The Navigator rotating hose reel is now ready for use.



STEP 4:

Located at the bottom of hose reel (5) near the crank handle (1) is a pre-assembled allen screw. Using the supplied allen wrench (AA), tighten or loosen tension on the spool. To increase the tension, tighten the screw. To reduce tension, Loosen the screw.

NOTE: Keep the reel in the locked position when winding the garden hose for storage.



CARE AND MAINTENANCE

Rust

Your hose reel will give you many years of reliable and functional hose storage. However, with any steel product there is a chance for rust to develop over time. Minor surface damage may occur during shipping, assembly, or during installation. If any base metal is exposed to the elements for an extended period of time, rust will develop. Additionally, rust acceleration can be caused by exposing the hose reel to yard fertilizers.

It is highly recommended that you periodically inspect your hose reel for minor scratches that can easily be repaired by using automotive touch-up paint.

Inspecting the hose reel after each season and protecting the finish will help prevent rust and prolong the life of the product.

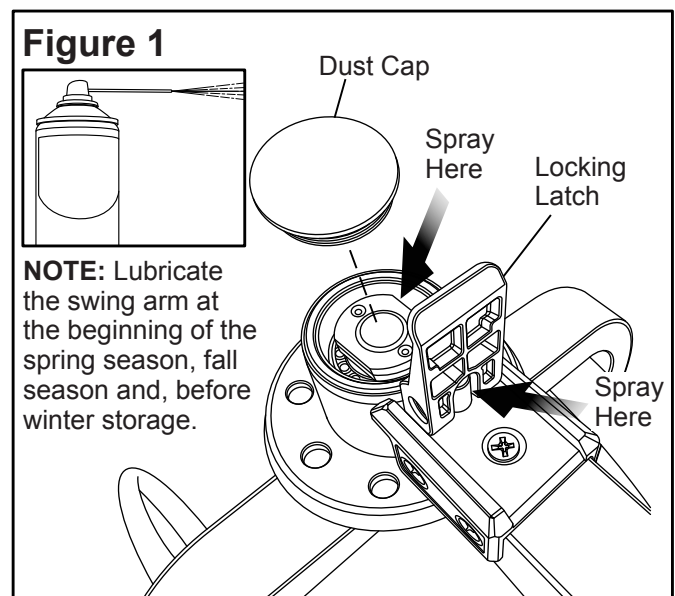
Leaks

Your hose reel is manufactured with the finest quality components available. All components are manufactured to rigorous quality standards not common in other consumer grade hose reels available today. When you install your hose reel, be sure the hose washers are in place and all fittings are secure. **DO NOT OVER TIGHTEN** as you might damage the components. If you live in more temperate climates, be sure to drain the unit of any residual water before storing. **DO NOT EXPOSE THE UNIT TO FREEZING TEMPERATURES** while water remains in the plumbing system.

- Ensure the hose washers are in place.
- Ensure all fittings are secure and tight.
- Check the head of the aluminum swivel for damage if the unit was exposed to freezing temperatures.
- The aluminum swivel uses two rubber O-Rings which over time can wear out. Replacement O-Rings can be found at www.libertygardenproducts.com
- **DO NOT** leave water running through the reel while not in use or unsupervised.
- Turn off water after each use.

Lubrication of Navigator

1. Using a flat blade screw driver, remove the dust cap from the swing arm as shown in Figure 1.
2. Spray silicone lubricant on the bearing. Lift the locking latch up and lubricate as shown in Figure 1.
3. Install the dust cap and wipe away any excess silicone lubricant from the unit.

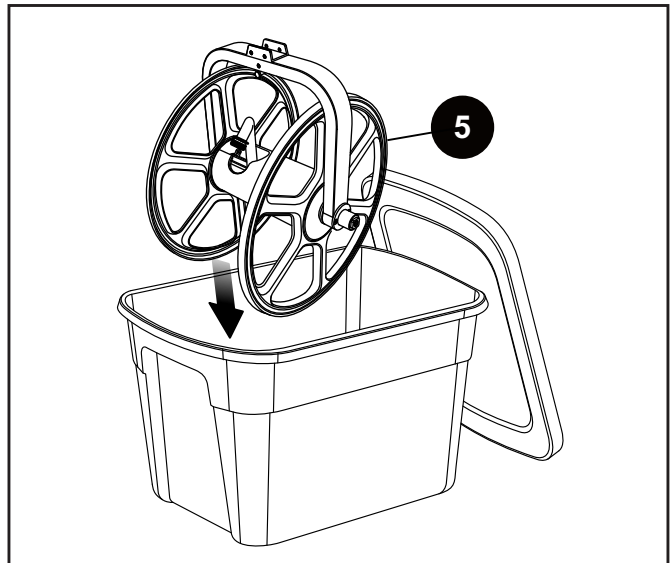


CARE AND MAINTENANCE (continued)

STORAGE

NOTE: It is recommended that the hose reel (5) be removed from the swing arm and stored indoors or sealed in a plastic container for winter protection.

- To help delay rust, check for any scratches on the hose reel. Apply clear acrylic/weatherproof paint to avoid rusting.
- Drain water from unit before storing.
- Lubricate aluminum swivel O-Rings before winter storage. See Figure 2 below.



TROUBLESHOOTING

Problem: Your new hose reel is leaking at the hose connections .

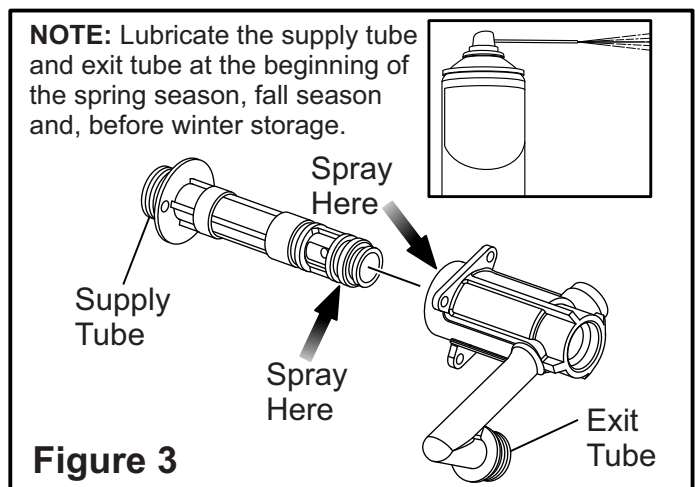
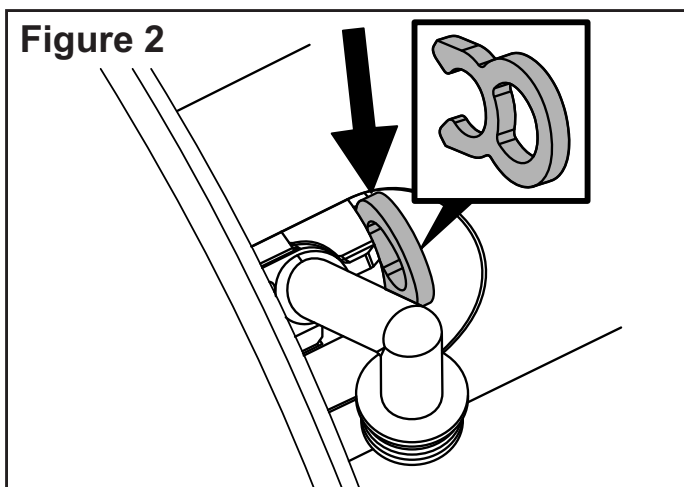
Solution: It is normal for the hose connections to leak slightly until the O-Rings are wet and have seated. If the leaking continues, you do not need to take the hose reel back to the store. This is a simple problem and is easily fixed by following the troubleshooting procedures outlined on this page.

Problem: Leaking at the hose connections.

Solution: Apply Teflon/Plumber's Tape to the threads on the hose connections to ensure the fixtures are sealed.

Problem: Spool hose connection kinking at the aluminum swivel.

Solution: To ensure proper rotation of the spool assembly, make sure the locking clip shown in Figure 2 is fully seated. If not, remove locking clip and push until an audible click is heard.



LIBERTY GARDEN PRODUCTS LIMITED WARRANTY

(Effective November 25, 2025)

This limited warranty is applicable to each original end-customer (hereinafter “Customer”) purchasing the model 731-A and 732-B Single Arm Navigator Rotating Hose Reel consisting of the structural metal frame and spool (hereinafter the “Structural Frame”) and various other non-frame components (hereinafter the “Non-Frame Parts”) sold by Liberty Garden Products, Inc. (hereinafter “Company”) for Customer’s own use and not for resale. The Structural Frame and Non-Frame Parts are collectively referred to herein as the “Products”.

1. LIMITED WARRANTY; EXCLUSIVE REMEDIES:

1.1. LIMITED WARRANTY ON PRODUCTS: Company warrants solely to the original Customer that (a) the Structural Frame will be free from defects in materials and workmanship under normal use for a period of three (3) YEAR(S) from the date of original retail purchase, and (b) the Non-Frame Parts (which consist of the crank handle, swivel and water connections, leader hose and tires), will be free from defects in materials and workmanship under normal use for a period of ONE (1) YEARS from the date of original retail purchase. Notwithstanding the foregoing, the colors and finishes of the Products may vary within a reasonable scope due to unavoidable color variations in different production batches, and such variations shall not constitute a material defect. This limited warranty is limited solely to the original Customer with proof of purchase and is not transferable.

1.2. THE WARRANTY: During a covered Product’s limited warranty period, Company will, at Company’s sole option and discretion, (1) repair the defective component or product without charge or (2) replace the defective component or product without charge.

1.3. The foregoing limited warranty is subject to the Customer’s proper storage, transportation, handling and use of the Products as the same are defined within Company’s then-current published guides and instructions for use and care. The limited warranty does not include defects due to normal wear and tear, abuse or misuse, mishandling, neglect, accident, fire, lightning, sunlight or other natural hazard, delivery or transportation damage, failure to follow applicable directions or instructions, or improper or inadequate cleaning, maintenance, care, repairs, modifications, or use beyond a Product’s intended use. Please note that since the Structural Frame is made from steel rust may occur over time. As such, this limited warranty does not include rust or defects due to the same.

1.4. LIMITED WARRANTY CLAIMS PROCEDURE: To obtain performance under this limited warranty, Customer shall notify Company in writing (to Liberty Garden Products, Inc., 1161 South Park Drive, Kernersville, NC 27284, Attn: Customer Service / Warranty Department), by email (to customerservice@libertygardenproducts.com), or by telephone (to (336) 992-3595) with a full description of the defect that is covered by warranty and a copy of the dated proof of purchase of the applicable product.

- Company shall review each such claim and issue Customer a return merchandise authorization (“RMA”) in the event that the described defect or condition merits warranty review as determined by Company. Customers who have been issued a RMA shall, at Company’s election, return the covered item to the same physical address listed above for reporting initial claims. Company shall not accept any returned product without a RMA.
- Upon receipt, Company will evaluate the returned product(s) to determine if there is a warranty claim and, if so, how Company wishes to remedy the same. During a covered product’s respective limited warranty period, Company will, at Company’s sole and absolute option and discretion, (1) repair the defective component or product without charge or (2) replace the defective component or product without charge. Refunds are not available pursuant to this limited warranty.

LIBERTY GARDEN PRODUCTS LIMITED WARRANTY (continued)

- Customer is solely responsible for transportation of the covered product(s) to the Company for evaluation (if applicable and requested by Company). In the event that Company determines that a claim under this limited warranty is justified, Company shall be responsible for transportation of the repaired, corrected, replaced or exchanged product back to Customer. Customer shall be solely responsible for the transportation of any product back to Customer if Company determines that a claim under this warranty is not justified.
- Any repaired, corrected, replaced or exchanged Products shall be subject to the Limited Warranty set forth to the duration of the original limited warranty period as set forth in Section 1.1. and not for any extended duration, following their repair, correction, replacement or exchange.

1.5. IF A COMPANY PRODUCT DOES NOT CONFORM TO THESE LIMITED WARRANTIES, THE PURCHASER'S SOLE AND EXCLUSIVE REMEDY IS, AT COMPANY'S SOLE AND EXCLUSIVE OPTION, THE (1) REPAIR OF ANY DEFECTIVE PRODUCT OR COMPONENT PART OR (2) REPLACEMENT OF ANY DEFECTIVE PRODUCT OR COMPONENT PART. THE LIMITED WARRANTY AND REMEDIES SET FORTH ABOVE ARE EXCLUSIVE AND MADE IN LIEU OF ALL OTHER WARRANTIES, REMEDIES, RIGHTS OR CONDITIONS, WHETHER ORAL OR WRITTEN, EXPRESS OR IMPLIED, EITHER IN FACT OR BY OPERATION OF LAW, STATUTORY OR OTHERWISE, INCLUDING THE IMPLIED WARRANTIES OF MERCHANTABILITY AND FITNESS FOR A PARTICULAR PURPOSE. COMPANY SPECIFICALLY DISCLAIMS, WITHOUT LIMITATION, ANY AND ALL OTHER WARRANTIES, EXPRESS OR IMPLIED, OF ANY KIND. IF COMPANY CANNOT LAWFULLY DISCLAIM IMPLIED WARRANTIES UNDER THIS LIMITED WARRANTY, ALL SUCH WARRANTIES, INCLUDING THE IMPLIED WARRANTIES OF MERCHANTABILITY AND FITNESS FOR A PARTICULAR PURPOSE, ARE LIMITED IN DURATION TO THE DURATION OF THIS LIMITED WARRANTY. The Company does not assume or authorize any person to assume for them any other liability in connection with the Products.

2. EXCLUSION AND LIMITATION OF LIABILITY:

IN NO EVENT, WHETHER BASED ON CONTRACT OR TORT OR OTHER LEGAL THEORY, SHALL COMPANY BE LIABLE FOR ANY INDIRECT, INCIDENTAL, PUNITIVE, SPECIAL OR CONSEQUENTIAL DAMAGES, INCLUDING BUT NOT LIMITED TO, DAMAGES TO OTHER PROPERTY, INCONVENIENCE, DAMAGES FOR LOSS OF PROFITS, REVENUE, GOODWILL OR USE, INCURRED BY CUSTOMER OR ANY THIRD PARTY, WHETHER IN AN ACTION IN CONTRACT, TORT, STRICT LIABILITY, OR IMPOSED BY STATUTE, OR OTHERWISE, EVEN IF ADVISED OF THE POSSIBILITY OF SUCH DAMAGES.

Some states do not allow the exclusion or limitation of incidental or consequential damages or exclusions or limitations on the duration of implied warranties or conditions, so the above limitations or exclusions may not apply to Customer. In jurisdictions that limit the scope of or preclude limitations or exclusion of remedies or damages, or of liability, such as liability for gross negligence or willful misconduct or do not allow implied warranties to be excluded, the limitation or exclusion of warranties, remedies, damages or liability set forth above are intended to apply to the maximum extent permitted by applicable law. This limited warranty gives the Customer specific legal rights, and the Customer may also have other rights that vary by state, country or other jurisdiction.

3. SEVERABILITY:

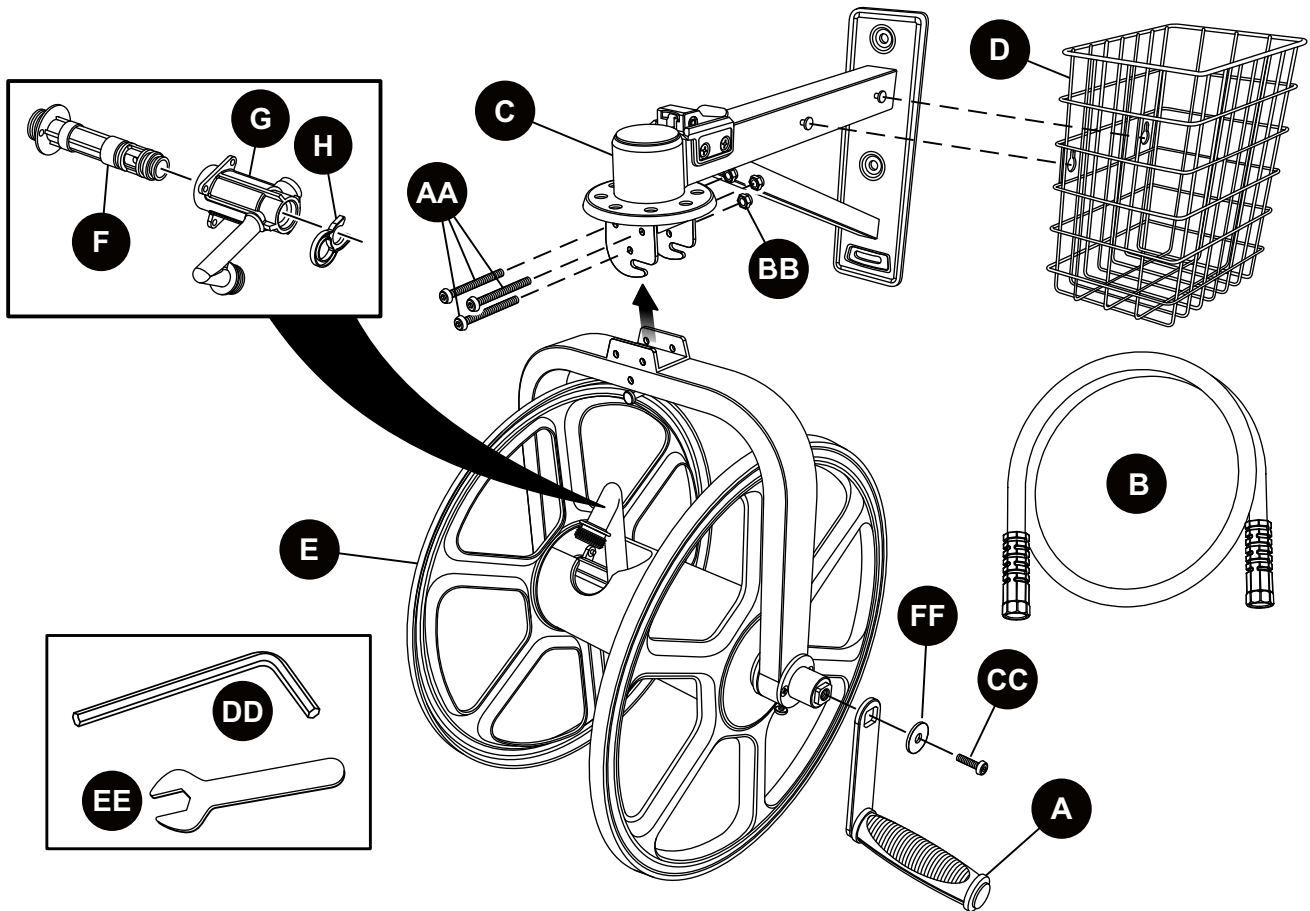
If any provision of this limited warranty is held to be illegal, invalid or otherwise unenforceable, such provision will be enforced to the extent possible consistent with its stated intention, or, if incapable of such enforcement, will be deemed to be severed and deleted from this limited warranty, while the remainder of the terms of this limited warranty will continue in full force and effect.

4. DISPUTE RESOLUTION:

This Liberty Garden Products, Inc. Limited Warranty shall be governed by and construed in accordance with the laws of the State of North Carolina, without regard to its principles of conflicts of law. The parties acknowledge the exclusive jurisdiction of the federal and state courts of the State of North Carolina. Any claims or disputes under this Liberty Garden Products, Inc. Limited Warranty shall be heard exclusively in any state or federal courts sitting in Guilford County, North Carolina, and both parties expressly consent to the personal jurisdiction and venue of the North Carolina state and federal courts for such actions.

REPLACEMENT PARTS LIST

For replacement parts, call our customer service department toll free at 1-866-820-5805, 9 a.m. - 5 p.m., EST, Monday - Friday. You may also contact us at customerservice@libertygardenproducts.com



NAVIGATOR 731-A (Color Bronze)		
PART	DESCRIPTION	Part #
AA	Allen Bolts (M6 x55 mm)	731-A-1
BB	Lock Nuts (M6)	731-A-2
CC	Allen Screw (M6 x 16 mm)	731-A-3
DD	Allen Wrench	731-A-4
EE	Wrench	731-A-5
FF	Flat Washer	731-A-6
A	Crank Handle	731-A-7
B	Leader Hose	731-A-8
C	Swing Arm	731-A-9
D	Basket	731-A-10
E	Hose Reel	731-A-11
F	Supply Tube	731-A-12
G	Exit Tube	731-A-13
H	Locking Clip	731-A-14

NAVIGATOR 732-B (Color Black)		
PART	DESCRIPTION	Part #
AA	Allen Bolts (M6 x55 mm)	732-B-1
BB	Lock Nuts (M6)	732-B-2
CC	Allen Screw (M6 x 16 mm)	732-B-3
DD	Allen Wrench	732-B-4
EE	Wrench	732-B-5
FF	Flat Washer	732-B-6
A	Crank Handle	732-B-7
B	Leader Hose	732-B-8
C	Swing Arm	732-B-9
D	Basket	732-B-10
E	Hose Reel	732-B-11
F	Supply Tube	732-B-12
G	Exit Tube	732-B-13
H	Locking Clip	732-B-14



Liberty Garden Products

© 2025 Liberty Garden Products, Inc. All Rights Reserved, Kernersville, NC

Updated 11/24/2025