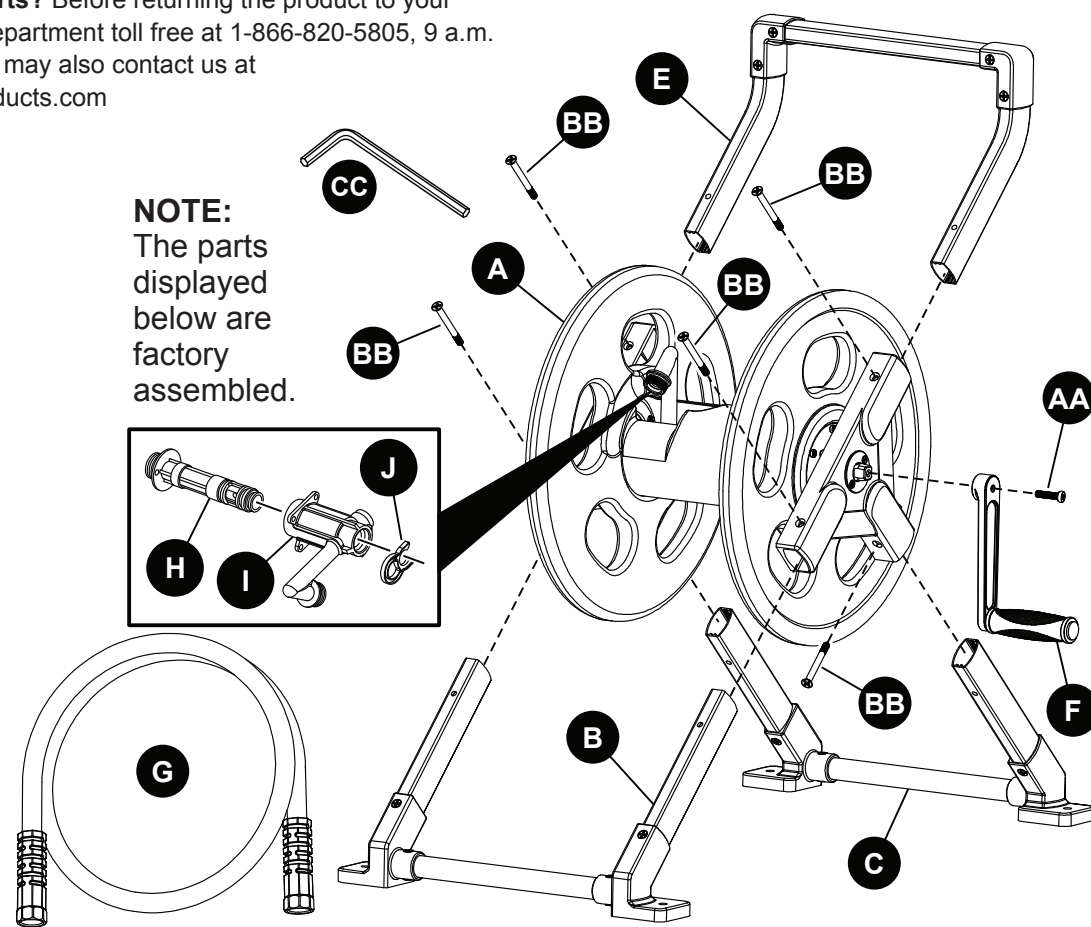


PARTS LIST

Questions, problems, missing parts? Before returning the product to your retailer, call our customer service department toll free at 1-866-820-5805, 9 a.m. - 5 p.m., EST, Monday - Friday. You may also contact us at customerservice@libertygardenproducts.com

MODEL # 306 PARTS LIST			
ITEM	DESCRIPTION	PART #	QTY
AA	Allen Screw (M6 x 16 mm)	306-1	1
BB	Screw (M6 x 58-12 mm)	306-2	6
CC	4 mm Allen Wrench	306-3	1
A	Spool Assembly	306-4	1
B	Front Support Feet	306-5	1
C	Back Support Feet	306-6	1
E	Push Handle	306-7	1
F	Crank Handle	306-8	1
G	Leader Hose	306-9	1
H	* Supply Tube	306-10	1
I	* Exit Tube	306-11	1
J	* Locking Clip	306-12	1

NOTE: * Indicates factory assembled parts.



NOTE:
The parts displayed below are factory assembled.

SAFETY INFORMATION

Please read and understand this entire manual before attempting to assemble, operate or install the product.

- **READ ALL INSTRUCTIONS CAREFULLY AND BE SURE THEY ARE FULLY UNDERSTOOD BEFORE USING THE HOSE REEL.**
- **DO NOT** load more than 150 feet (38.0 m) of hose onto the reel.
- Distribute the hose evenly over the surface of the drum assembly.
- **DO NOT** exceed maximum water pressure of 125 PSI.
- **DO NOT** expose the unit to freezing temperatures while water remains in the plumbing system. Freezing temperatures can crack the exit tube causing damage to the unit. Drain water from the hose reel and store indoors during freezing temperatures.
- **DO NOT** leave water running through the hose reel while not in use or unsupervised.
- **DO NOT** consume water from garden hose, it is not rated for human consumption.
- Turn off water source when not in use. Do not leave hose pressurized when not in use.
- If any parts become damaged, broken, or misplaced, do not use the hose reel until the parts have been repaired or replaced.

DO NOT use the hose reel on surfaces that can cause damage to the support feet.

It is recommended that the hose reel be inspected for damage before each use.

KEEP THESE INSTRUCTIONS FOR FUTURE REFERENCE.

SAFETY INFORMATION (continued)

⚠ WARNING

This product contains one or more chemicals known in the state of California to cause cancer and birth defects or reproductive harm. Wash hands after handling.

LIBERTY GARDEN PRODUCTS LIMITED WARRANTY

(Effective September 03, 2024)

This limited warranty is applicable to each original end-customer (hereinafter "Customer") purchasing the model Explorer 306 Hose Reel consisting of the structural metal frame and spool (hereinafter the "Structural Frame") and various other non-frame components (hereinafter the "Non-Frame Parts") sold by Liberty Garden Products, Inc. (hereinafter "Company") for Customer's own use and not for resale. The Structural Frame and Non-Frame Parts are collectively referred to herein as the "Products".

For additional details of the Liberty Garden Products Limited Warranty, scan the QR code below.



Liberty Garden Products
Updated 09/03/2024

© 2024 Liberty Garden Products, Inc. All Rights Reserved, Kernersville, NC



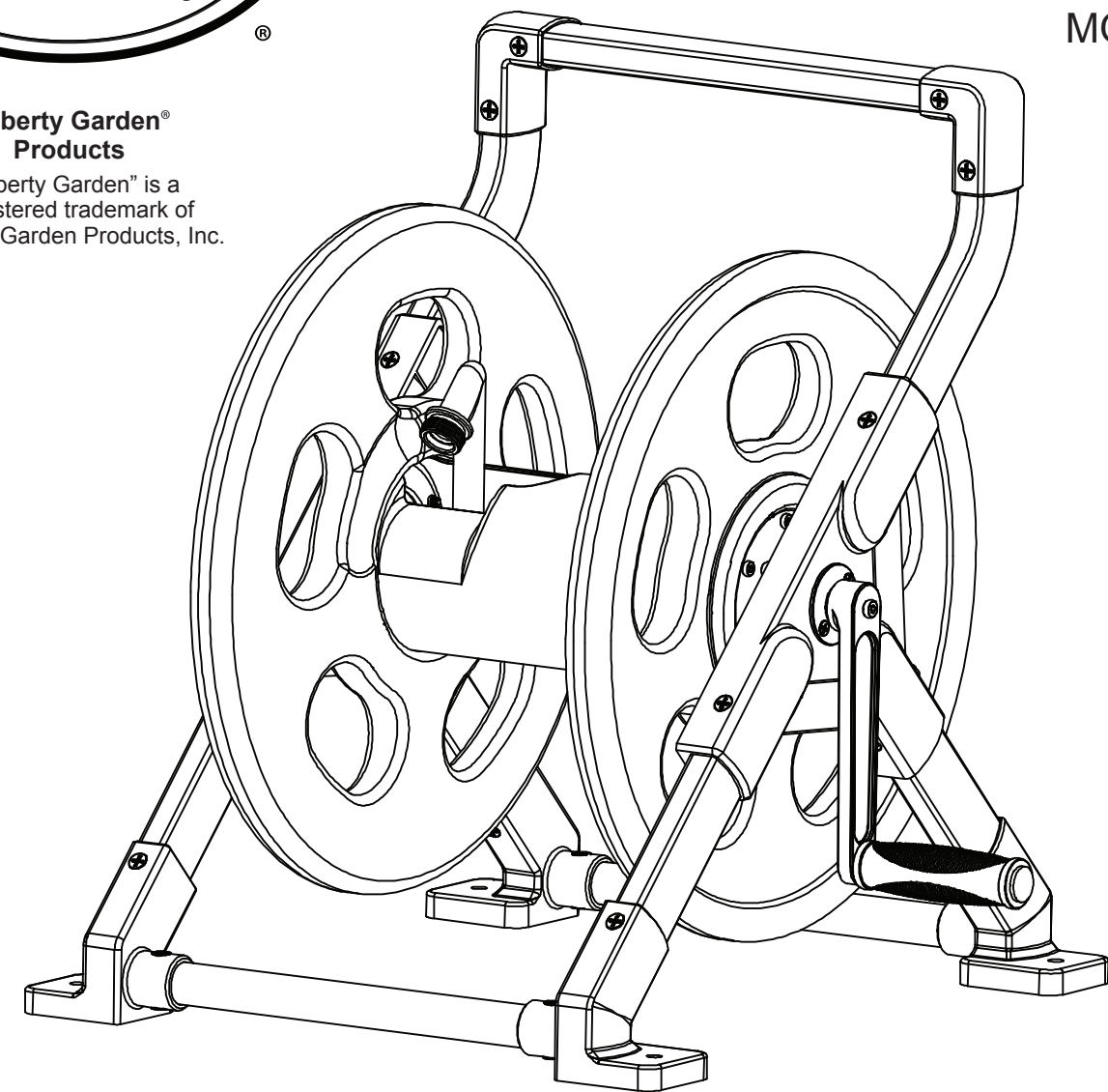
Liberty Garden®
Products

"Liberty Garden" is a registered trademark of Liberty Garden Products, Inc.

EXPLORER™

Hose Reel Owner's Manual

MODEL #306



SCAN QR CODE FOR VIDEO



LIBERTY GARDEN PRODUCTS, INC.

1161 SOUTH PARK DRIVE, KERNERSVILLE NC 27284

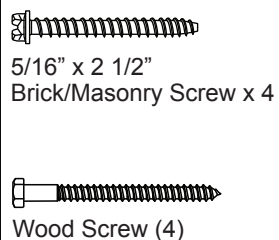
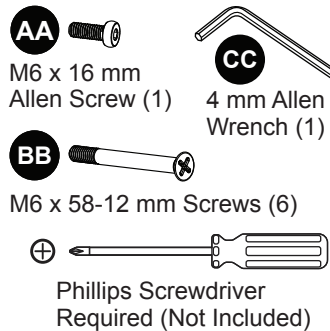
WWW.LIBERTYGARDENPRODUCTS.COM

HARDWARE CONTENTS AND REQUIRED TOOLS

NOTE: (Drawings are not to scale)

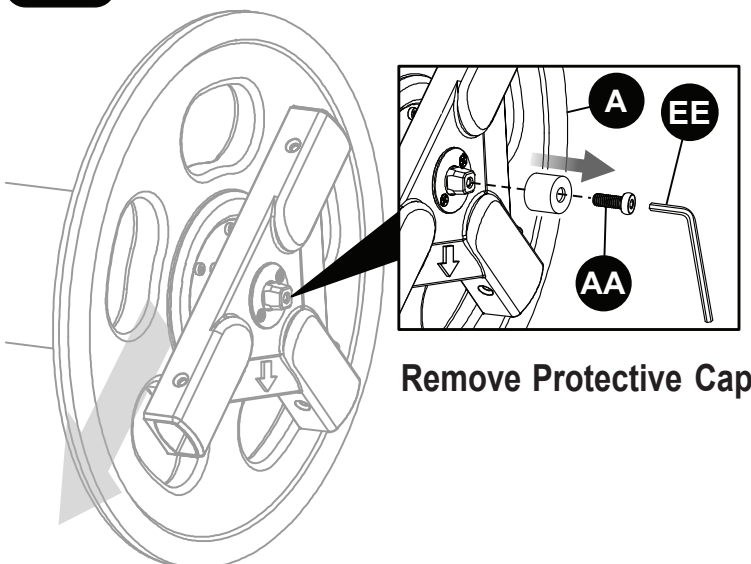
The hardware displayed below is included with the product.

Required Hardware for wall mounting (Not Included)



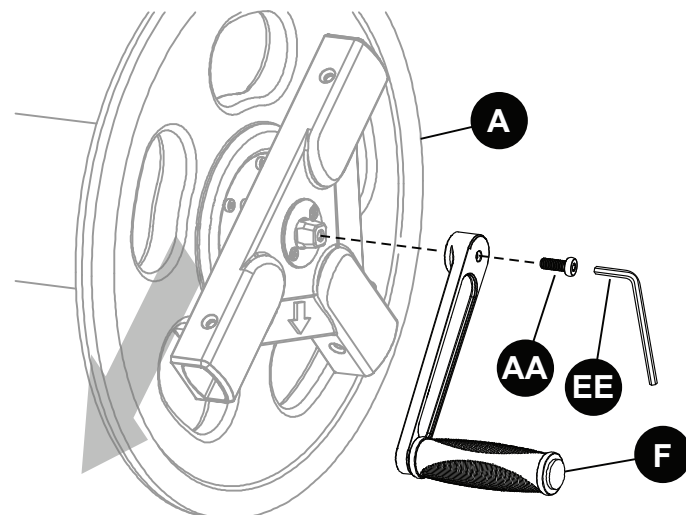
ASSEMBLY INSTRUCTIONS

1 **AA** x1 **Protective Cap**



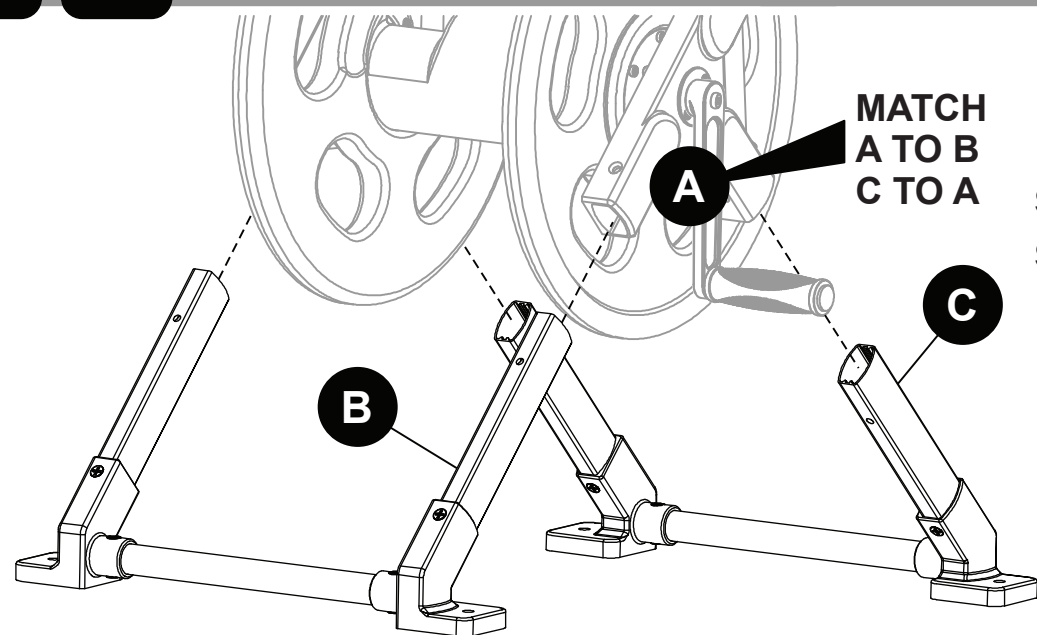
2 **AA** x1

NOTE: DO NOT overtighten the Allen screw.



3

4



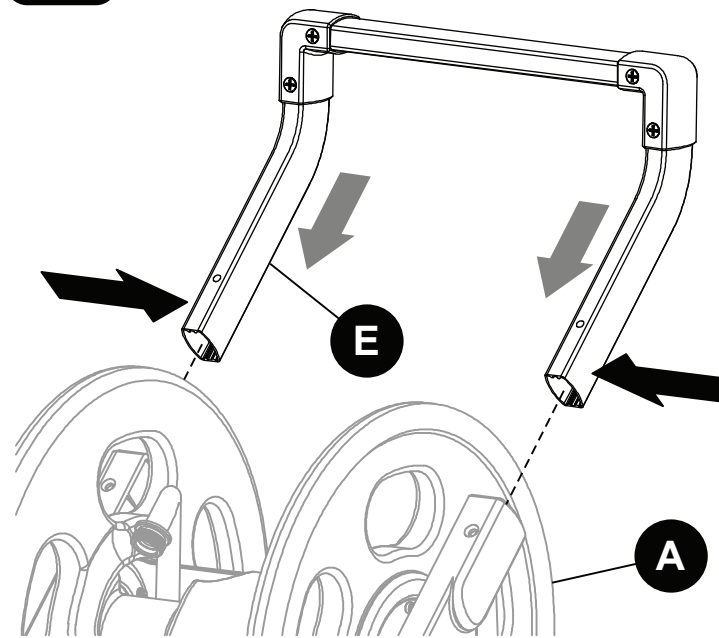
NOTE: Do not install any screws for support feet until Step 6.

PREPARATION

Before beginning assembly of product, make sure all parts are present. Compare parts with package contents list and hardware contents list. If any part is missing or damaged, **Do Not** attempt to assemble the product.

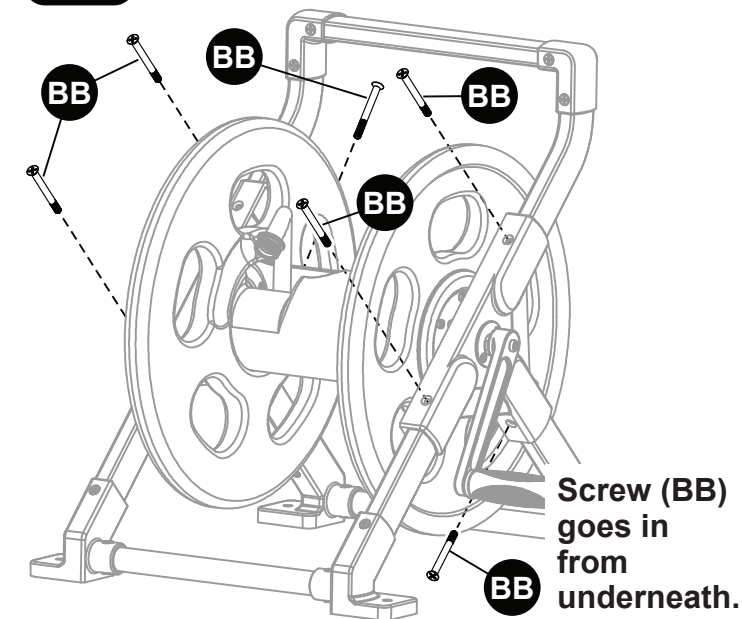
Estimated Assembly Time: 10 minutes
(Not including wall mounting the hose reel)

5

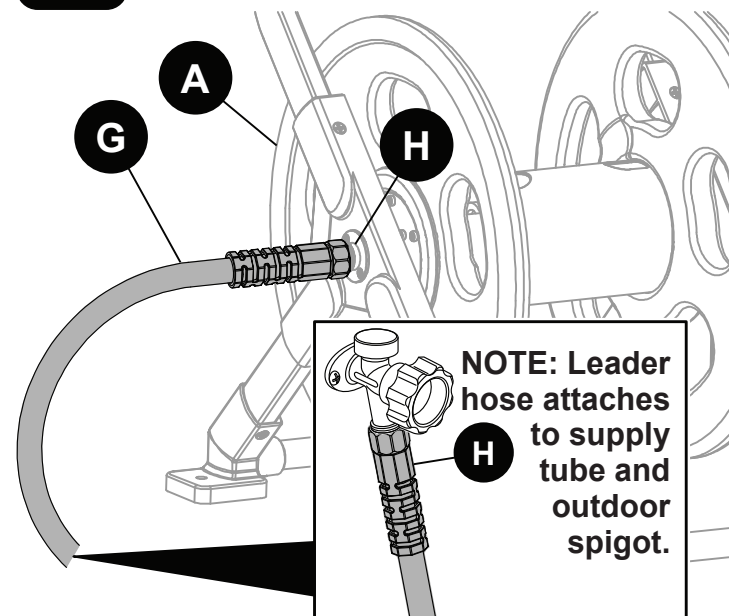


6

BB x6

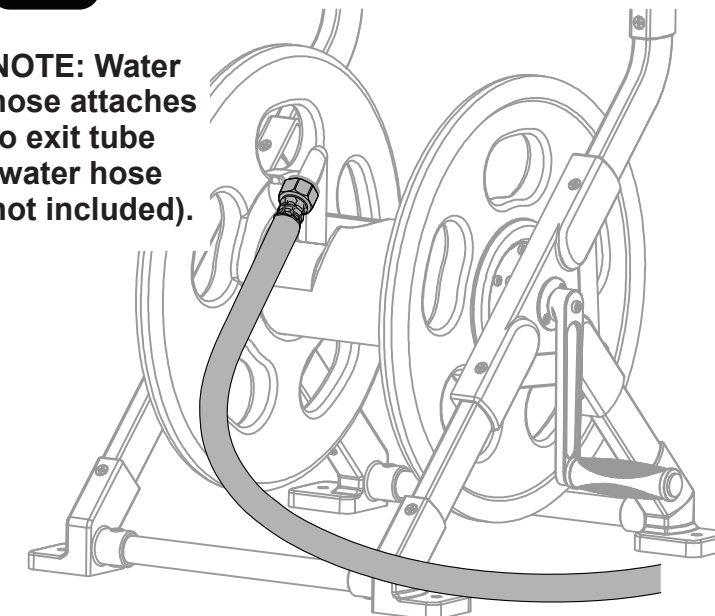


7



8

NOTE: Water hose attaches to exit tube (water hose not included).



OPTIONAL WALL MOUNTING

The 306 Explorer Hose Reel can be mounted to a solid masonry wall or wall studs using the proper brick/masonry screws, or wood screws.

Scan QR code for mounting instructions.

NOTE: Mounting hardware is not included.

