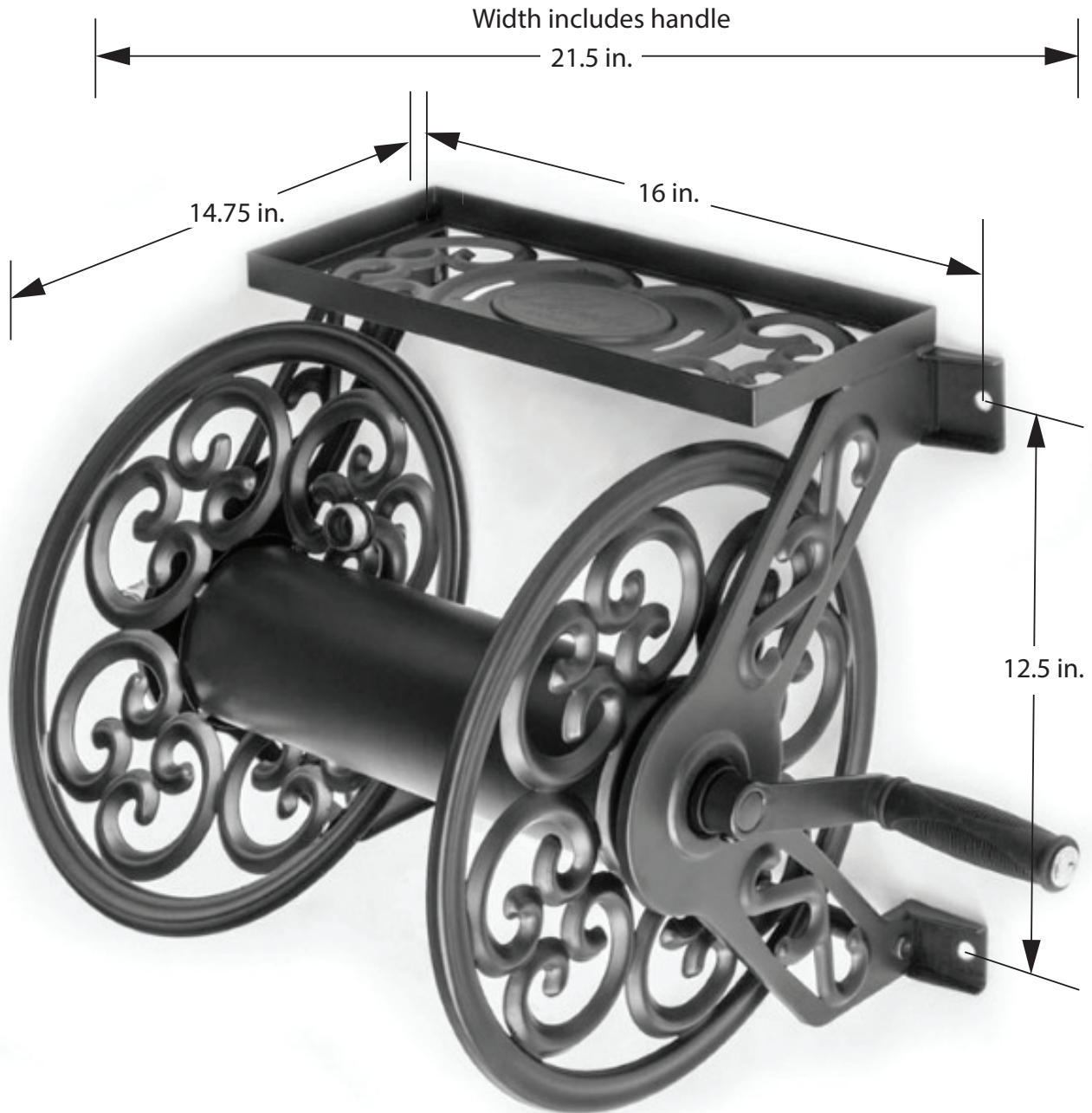


Liberty Garden Model #708



This hose reel must be mounted to a solid masonry wall or to wall studs

TIP: Remember to use the correct size and quantity of hardware to properly support the total weight of the unit. A standard 100' length of garden hose weighs approximately 15 lbs. Filled with water the additional weight can exceed 20 lbs. The mounting hardware must be able to support the combined weight of the unit, garden hose, plus water.

INSTALLATION

This hose reel **MUST** be mounted to a solid masonry wall or to wall studs

1. BRICK OR MASONRY ANCHOR SLEEVES:

NOTE: The following hardware (not included) is recommended for installation.

(4) 7 or 8 mm x 60 mm masonry wall anchors
(5/16" x 2 1/2")

(4) Anchor sleeves
(4) Washers
(4) Lock washers
(4) Nuts

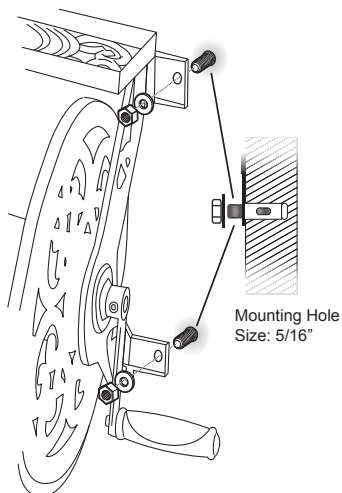
- Position and hold your hose reel against the brick masonry wall at a convenient height. Mark the position of each suspension hole on the wall. Remove the hose reel.

- Using a hammer drill I, drill holes 5/16" in diameter and 2 1/2" deep at the marked positions on the wall.

- Insert the masonry wall anchors into the anchor sleeve. Next, insert the anchor and sleeve into the drilled holes until the steel sleeve is completely in the wall.

- Place the hose reel on the masonry wall anchors.

- Install a washer, lock washer, and nut over each wall anchor and tighten securely.



NOTE: Drill hole diameters may vary based on anchor sleeve, concrete screw and wood screw manufacturer.

Check product recommendations before drilling holes.

2. BRICK OR MASONRY SCREWS:

NOTE: The following hardware (not included) is recommended for installation.

(4) 7 or 8 mm x 60 mm masonry screws
(5/16" x 2 1/2")

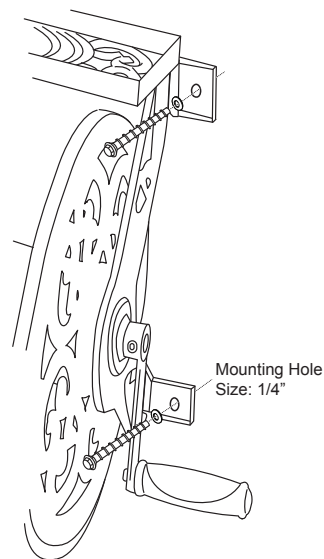
(4) Washers

- Position and hold your hose reel against the brick masonry wall at a convenient height. Mark the position of each suspension hole on the wall. Remove the hose reel.

- Using a hammer drill, drill pilot holes 1/4" in diameter and 2 1/2" deep at the marked positions on the wall.

- Align the hose reel suspension holes with the pilot holes.

- Attach the hose reel to the wall using the concrete screws with washers and tighten securely.



WOOD SCREWS:

NOTE: The following hardware (not included) is recommended for installation.

(4) 7 or 8 mm x 60 mm wood screws
(5/16" x 2 1/2")

(4) Washers

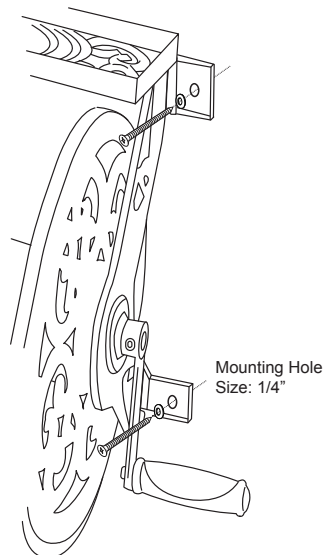
- Using a stud finder locate the wood studs on your wall.

- Position and hold your hose reel against the wood wall at a convenient height. Mark the position of each suspension hole on the wall. Remove the hose reel.

- Using an electric drill, drill pilot holes 1/4" in diameter and 2 1/2" deep at the marked positions on the wall.

- Align the hose reel suspension holes with the pilot holes.

- Attach the hose reel to the wall using the wood screws with washers and tighten securely.



To learn more watch a video on our warranty and care section @ www.libertygardenproducts.com