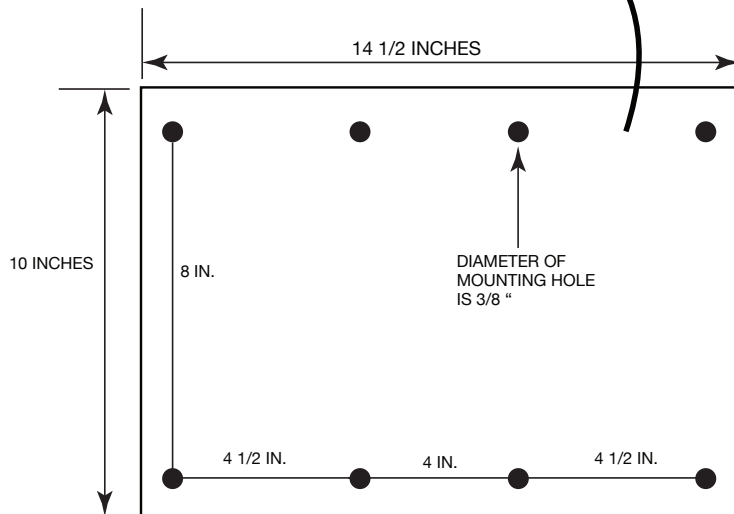
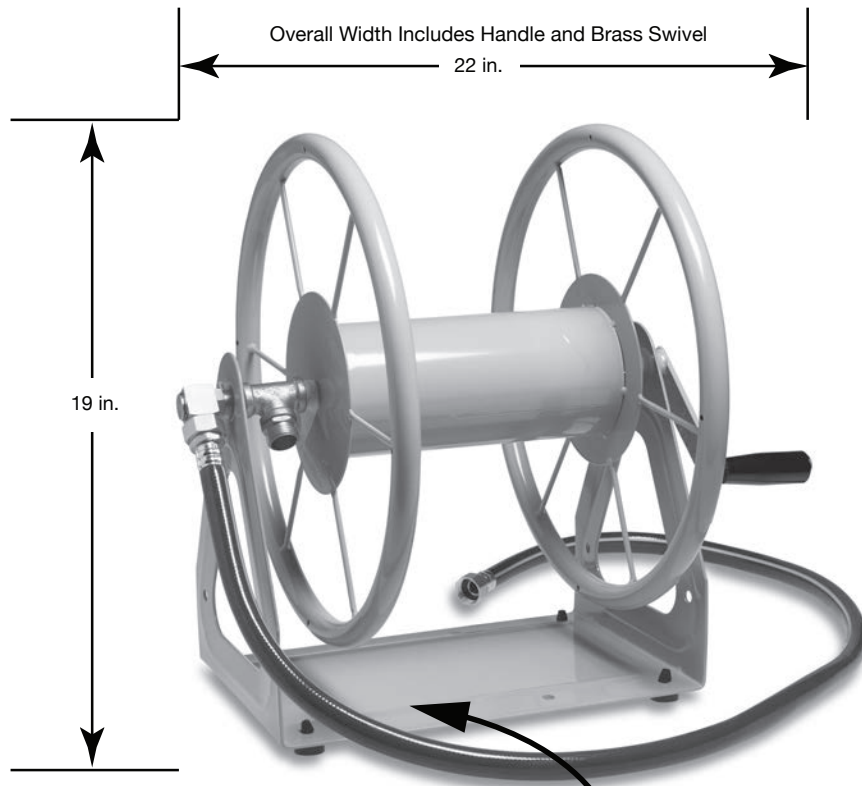




703 & 703-S2 Dimensions



**BASE FOR MODEL
703 AND 703-S2**

INSTALLATION

This hose reel **MUST** be mounted to a solid masonry wall or to wall studs

1. BRICK OR MASONRY ANCHOR SLEEVES:

NOTE: The following hardware (not included) is recommended for installation.

(4) 7 or 8 mm x 60 mm masonry wall anchors
(5/16" x 2 1/2")

(4) Anchor sleeves
(4) Washers
(4) Lock washers
(4) Nuts

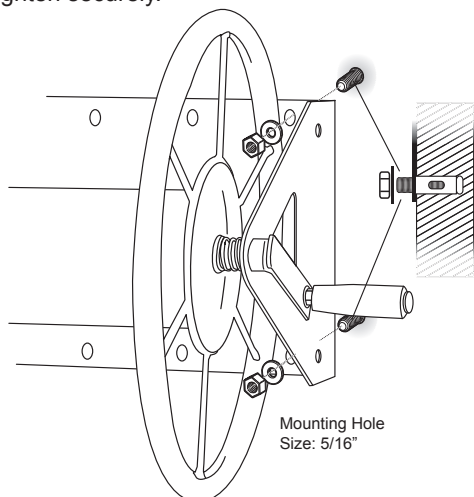
- Position and hold your hose reel against the brick masonry wall at a convenient height. Mark the position of each suspension hole on the wall. Remove the hose reel.

- Using a hammer drill I, drill holes 5/16" in diameter and 2 1/2" deep at the marked positions on the wall.

- Insert the masonry wall anchors into the anchor sleeve. Next, insert the anchor and sleeve into the drilled holes until the steel sleeve is completely in the wall.

- Place the hose reel on the masonry wall anchors.

- Install a washer, lock washer, and nut over each wall anchor and tighten securely.



NOTE: Drill hole diameters may vary based on anchor sleeve, concrete screw and wood screw manufacturer.

Check product recommendations before drilling holes.

2. BRICK OR MASONRY SCREWS:

NOTE: The following hardware (not included) is recommended for installation.

(4) 7 or 8 mm x 60 mm masonry screws
(5/16" x 2 1/2")

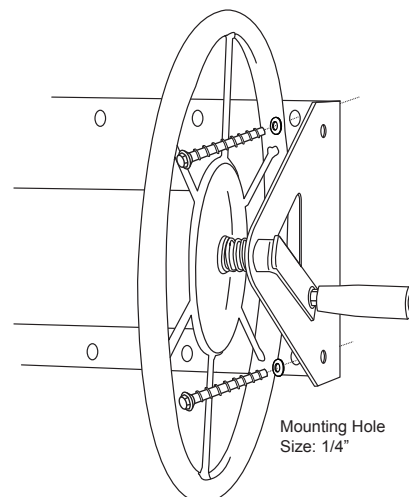
(4) Washers

- Position and hold your hose reel against the brick masonry wall at a convenient height. Mark the position of each suspension hole on the wall. Remove the hose reel.

- Using a hammer drill, drill pilot holes 1/4" in diameter and 2 1/2" deep at the marked positions on the wall.

- Align the hose reel suspension holes with the pilot holes.

- Attach the hose reel to the wall using the concrete screws with washers and tighten securely.



WOOD SCREWS:

NOTE: The following hardware (not included) is recommended for installation.

(4) 7 or 8 mm x 60 mm wood screws
(5/16" x 2 1/2")

(4) Washers

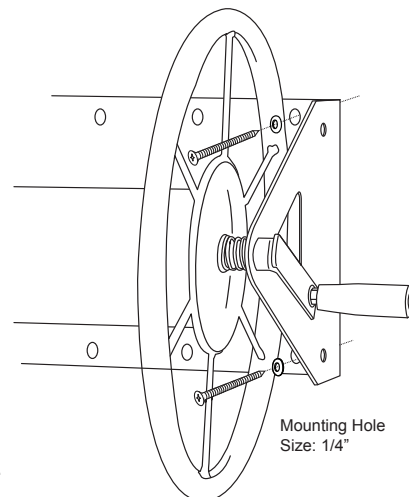
- Using a stud finder locate the wood studs on your wall.

- Position and hold your hose reel against the wood wall at a convenient height. Mark the position of each suspension hole on the wall. Remove the hose reel.

- Using an electric drill, drill pilot holes 1/4" in diameter and 2 1/2" deep at the marked positions on the wall.

- Align the hose reel suspension holes with the pilot holes.

- Attach the hose reel to the wall using the wood screws with washers and tighten securely.



To learn more watch a video on our warranty and care section @ www.libertygardenproducts.com