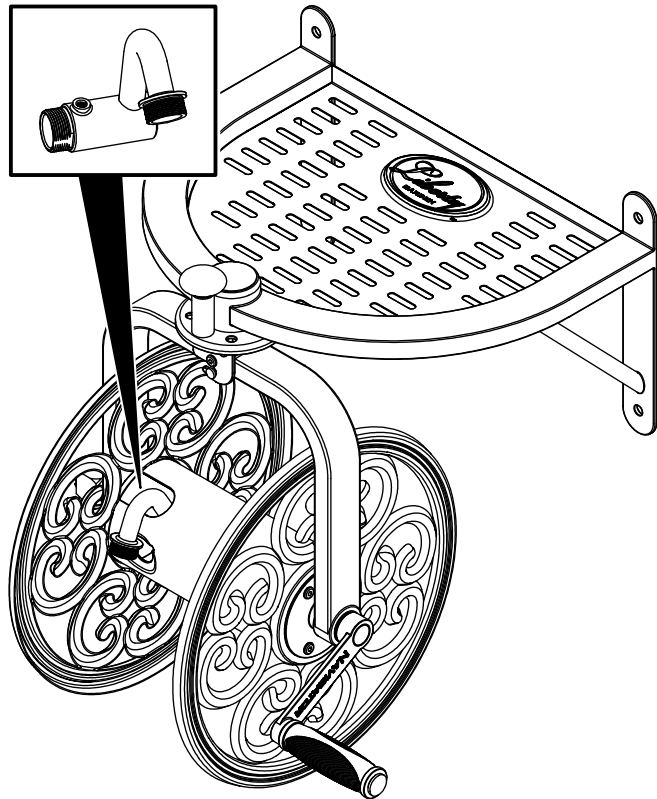




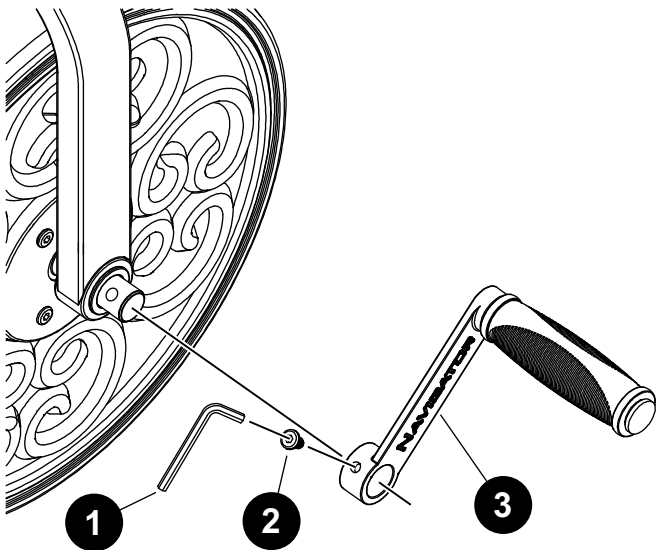
710 NAVIGATOR 360° ROTATING HOSE REEL

Elbow Replacement Instructions

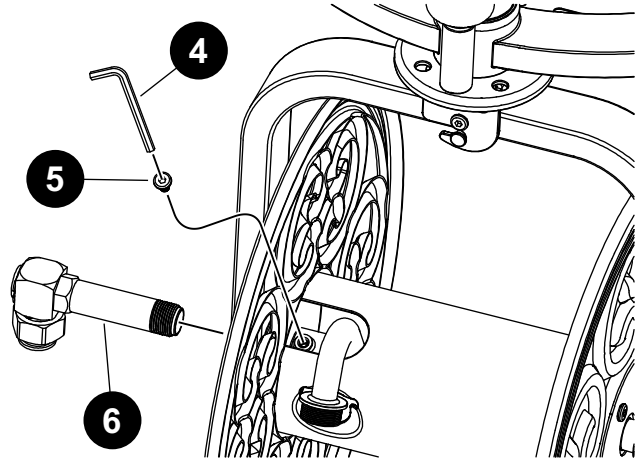
This instruction covers replacement of the 710 Navigator 360° Rotating Hose Reel elbow.



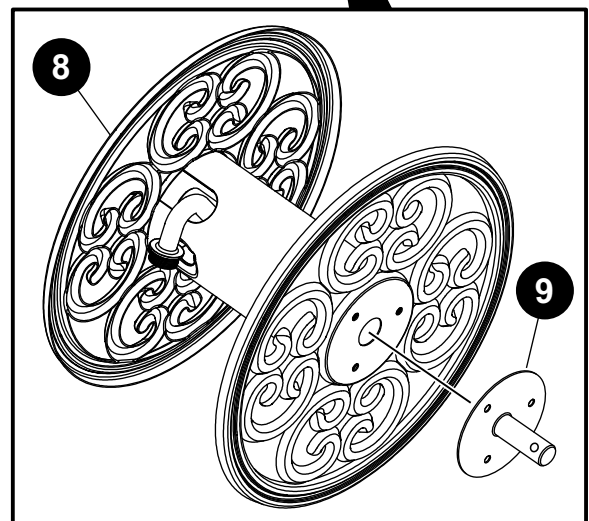
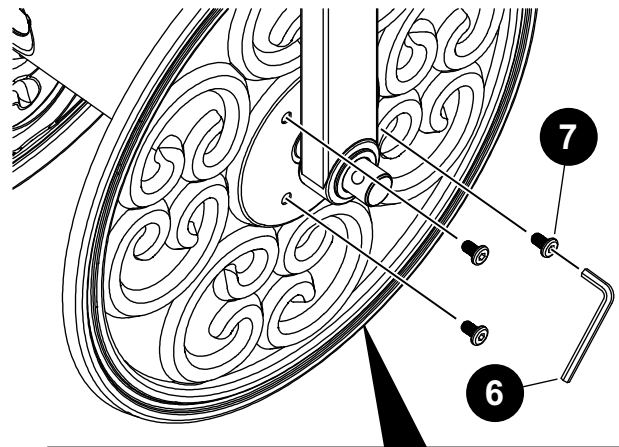
1 Using a hex wrench (1), remove the screw (2), and remove the crank handle (3).



2 Using a hex wrench (4), remove the screw (5) and remove the swivel (6).



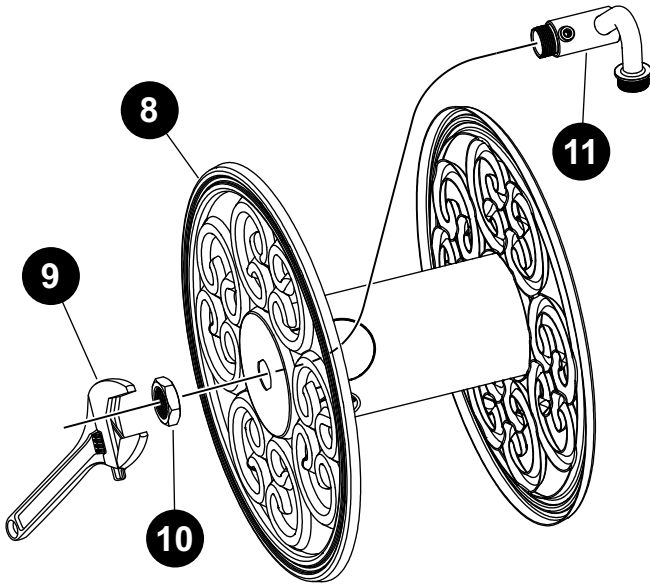
3 Using a hex wrench (6), remove the screws (7), remove the reel (8) and crank shaft (9).



710 NAVIGATOR 360° ROTATING HOSE REEL

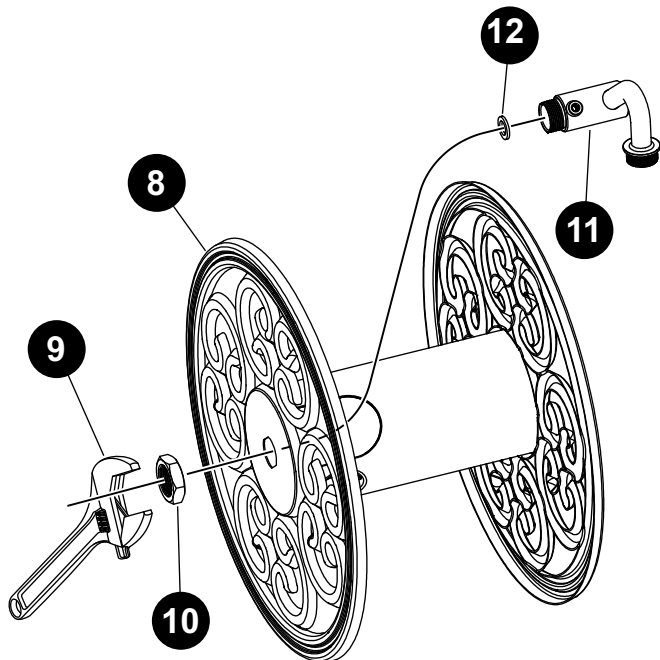
Elbow Replacement Instructions

- 4** Using an adjustable wrench (9), remove the nut (10), and remove the elbow (11) from the hose reel (8).

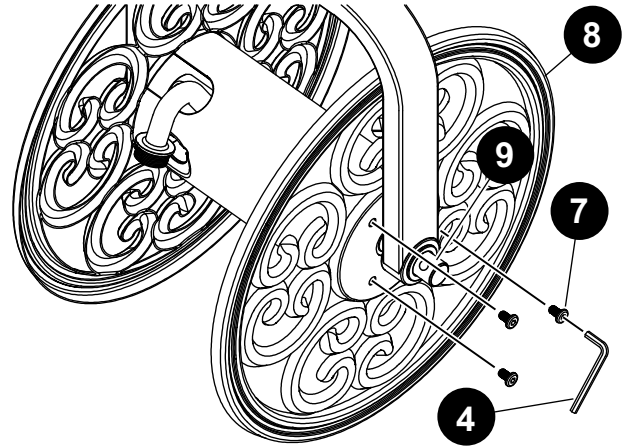


- 5** Assemble the elbow (11) and the nut (10) in the hose reel (8). Use an adjustable wrench (9) to tighten the nut.

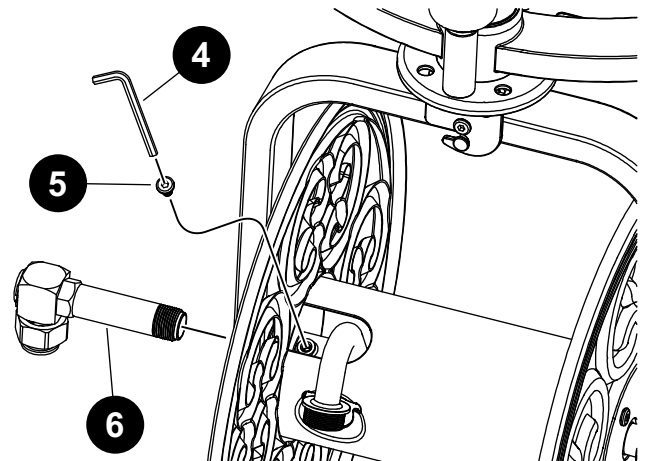
NOTE: Ensure the washer (12) is inside the elbow as shown in the figure below.



- 6** Assemble crank shaft (9), hose reel (8), and screws (7) as shown in the figure below. Tighten the screws with hex wrench (4).



- 7** Assemble the swivel (6) and screw (5). Using a hex wrench (4), tighten screw.



- 8** Assemble the crank handle (3) and screw (2). Using a hex wrench (4) tighten screw as shown below.

